

2018



VALID FROM APRIL 1ST

MADE BY HAND

DATASHEET

WORKSHOP LAMP

THE WORKSHOP LAMP



IN THE
WORKSHOP



MATERIALS



Powdercoated



Laquered Aluminium



Copper & White



Weathered Copper

COLOURS



Shiny Black



Matte Black



Dark Black



Anthracite Black



Anthracite Grey



Grey



Matte White



White



Yellow



Light Rosa



Mint



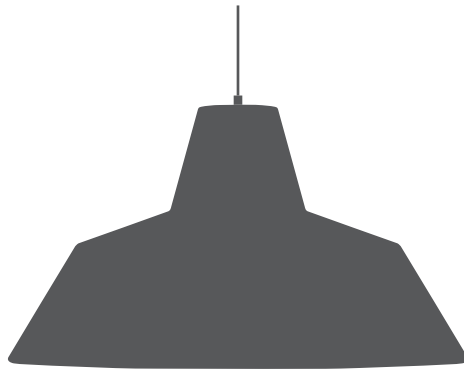
Petroleum Blue



Blue

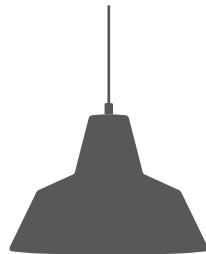
MADE BY HAND

WORKSHOP LAMP SERIES



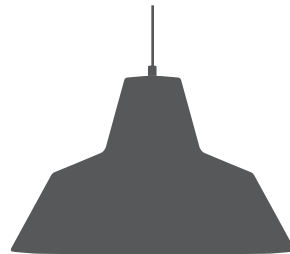
W5

Ø 820 mm
H 450 mm



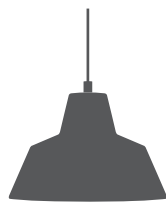
W3

Ø 350 mm
H 240 mm



W4

Ø 500 mm
H 305 mm



W2

Ø 280 mm
H 190 mm



W1

Ø 180 mm
H 125 mm

WORKSHOP LAMP / W1



Made By Hand in Copenhagen manufactures the Workshop lamp collection by A. Wedel-Madsen. Made of aluminium, the workshop lamp is not too heavy but still the thickness of the lamp shade, solid socket and wire cloth are all part of the crafted quality and the selection of durable materials that create the workshop lamp.

Design: A. Wedel-Madsen

Year: 1951

Material: Aluminium

Made in Denmark

Shade colours



Measurements

Shade height: 125 mm

Shade diameter: 180 mm

Cord length: 3000 mm

Certifications

CE-Certified

IP20

Recommended Lightsource

Socket: E14

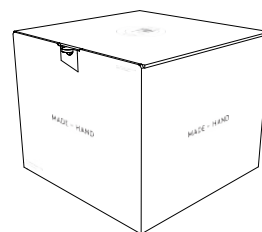
Max wattage: 40 W

Packaging Measurements

L: 217 x W: 217 x H: 200 mm

Weight (lamp + packaging = total)

Total: 0,55 kg



WORKSHOP LAMP / W2



Made By Hand in Copenhagen manufactures the Workshop lamp collection by A. Wedel-Madsen. Made of aluminium, the workshop lamp is not too heavy but still the thickness of the lamp shade, solid socket and wire cloth are all part of the crafted quality and the selection of durable materials that create the workshop lamp.

Design: A. Wedel-Madsen

Year: 1951

Material: Aluminium

Made in Denmark

Shade colours



Measurements

Shade height: 190 mm

Shade diameter: 280 mm

Cord length: 3000 mm

Certifications

CE-Certified

IP20

Recommended Lightsource

Socket: E27

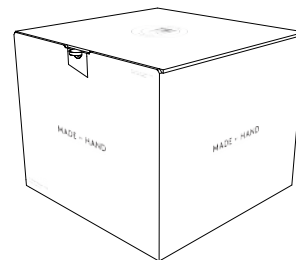
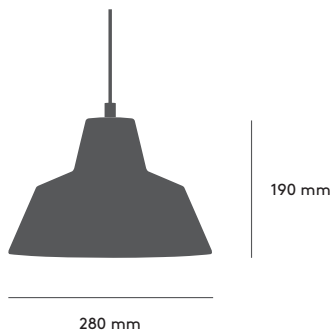
Max wattage: 60 W

Packaging Measurements

L: 297 x W: 297 x H: 240 mm

Weight (lamp + packaging = total)

Total: 1,24 kg



WORKSHOP LAMP / W3



Made By Hand in Copenhagen manufactures the Workshop lamp collection by A. Wedel-Madsen. Made of aluminium, the workshop lamp is not too heavy but still the thickness of the lamp shade, solid socket and wire cloth are all part of the crafted quality and the selection of durable materials that create the workshop lamp.

Design: A. Wedel-Madsen

Year: 1951

Material: Aluminium

Made in Denmark

Shade colours



Measurements

Shade height: 240 mm

Shade diameter: 350 mm

Cord length: 3000 mm

Certifications

CE-Certified

IP20

Recommended Lightsource

Socket: E27

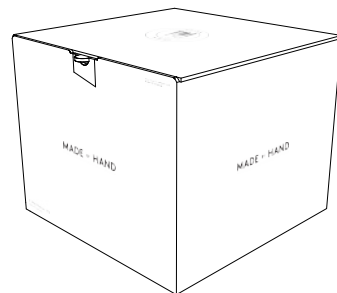
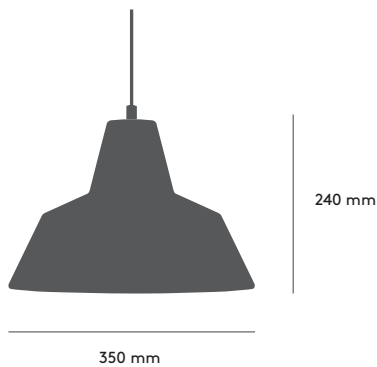
Max wattage: 60 W

Packaging Measurements

L: 362 x W: 362 x H: 290 mm

Weight (lamp + packaging = total)

Total: 1,9 kg



WORKSHOP LAMP / W4



Made By Hand in Copenhagen manufactures the Workshop lamp collection by A. Wedel-Madsen. Made of aluminium, the workshop lamp is not too heavy but still the thickness of the lamp shade, solid socket and wire cloth are all part of the crafted quality and the selection of durable materials that create the workshop lamp.

Design: A. Wedel-Madsen

Year: 1951

Material: Aluminium

Made in Denmark

Shade colours



Measurements

Shade height: 305 mm

Shade diameter: 500 mm

Cord length: 3000 mm

Certifications

CE-Certified

IP20

Recommended Lightsource

Socket: E27

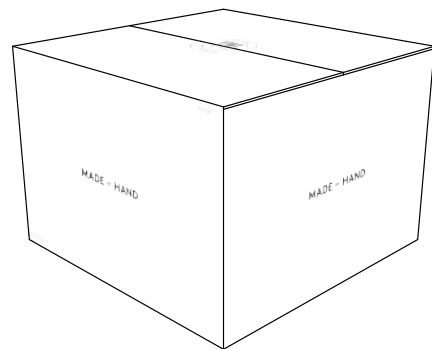
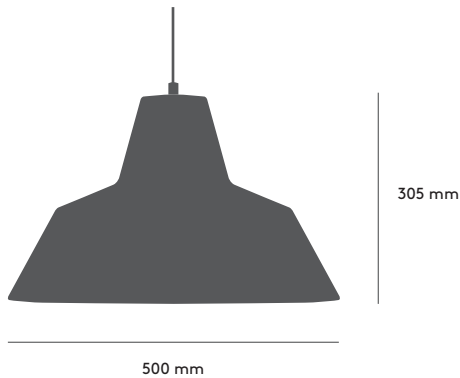
Max wattage: 60 W

Packaging Measurements

L: 510 x W: 510 x H: 365 mm

Weight (lamp + packaging = total)

Total: 3,24 kg



WORKSHOP LAMP / W5



Made By Hand in Copenhagen manufactures the Workshop lamp collection by A. Wedel-Madsen. Made of aluminium, the workshop lamp is not too heavy but still the thickness of the lamp shade, solid socket and wire cloth are all part of the crafted quality and the selection of durable materials that create the workshop lamp.

Design: A. Wedel-Madsen

Year: 1951

Material: Aluminium

Made in Denmark

Shade colours



Shiny black

Matte black

Dark black

Anthracite black

Anthracite grey

Grey



White

Matte white

Measurements

Shade height: 455 mm

Shade diameter: 820 mm

Cord length: 3000 mm

Certifications

CE-Certified

IP20

Recommended Lightsource

Socket: E27

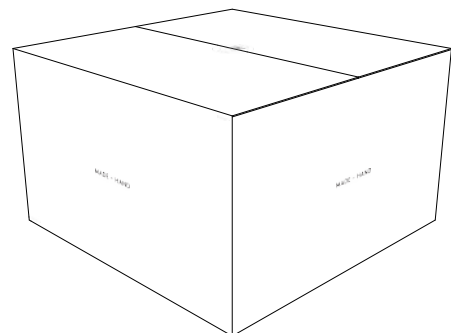
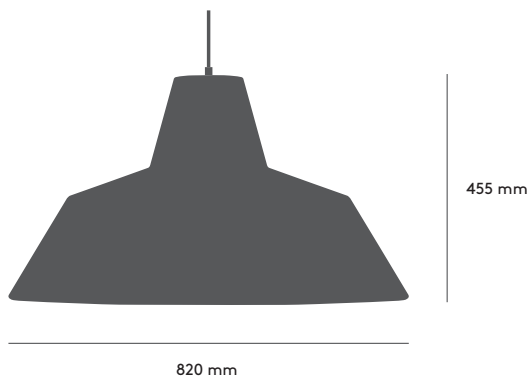
Max wattage: 60 W

Packaging Measurements

L: 845 x W: 845 x H: 490 mm

Weight (lamp + packaging = total)

Total: 8,06 kg



LACQUERED ALUMINIUM

WORKSHOP LAMP W1 - W5



Made By Hand in Copenhagen manufacturer the Workshop lamp-collection by A. Wedel-Madsen. Made of aluminium, the workshop lamp is not too heavy but still the thickness of the lamp shade, solid socket and wire cloth are all part of the crafted quality and the selection of durable materials that create the workshop lamp.

Design: A. Wedel-Madsen

Year: 1951

Material: Aluminium

Made in Denmark

Packaging

Packaging measurements

W1 L: 217x W: 217 x H: 200mm

W2 L: 297x W: 297 x H: 240mm

W3 L: 362 x W: 362 x H: 290 mm

W4 L: 510 x W: 510 x H: 365mm

W5 L: 845 x W: 845 x H: 490mm

Weight (Lamp + package = total):

W1 Total: 0,55 kg

W2 Total: 1,24 kg

W3 Total: 1,9 kg

W4 Total: 3,24 kg

W5 Total: 8,06 kg

Measurements

W1

Shade height: 125 mm

Shade diameter: 180 mm

Cord length: 3000 mm

W2

Shade height: 190 mm

Shade diameter: 280 mm

Cord length: 3000 mm

W3

Shade height: 240 mm

Shade diameter: 350 mm

Cord length: 3000 mm

W4

Shadeheight: 305mm

Shade diameter: 500 mm

Cordlength: 3000mm

W5

Shadeheight: 455mm

Shade diameter: 820 mm

Cordlength: 3000mm

COPPER & WHITE

WORKSHOP LAMP W1 - W4



The workshop lamps in copper are made by hand in 3 different workshops in Denmark. Every single copper lamp is made in 100% pure copper, and is shaped by craftsmen using different tools. Each lamp has different finishes. Some lamps are lacquered with the purpose to maintain the look of the copper.

Design: A. Wedel-Madsen

Year: 1951

Material: Copper and white powdercoat

Made in Denmark

Packaging

Packaging measurements

W1 L: 217 x W: 217 x H: 200 mm

W2 L: 297 x W: 297 x H: 240 mm

W3 L: 362 x W: 362 x H: 290 mm

W4 L: 510 x W: 510 x H: 365 mm

Weight packaging (Lamp + package = total)

W1 Total: 0,74 kg

W2 Total: 1,78 kg

W3 Total: 2,65 kg

W4 Total: 3,92 kg

Measurements

W1

Shade height: 125 mm

Shade diameter: 180 mm

Cord length: 3000 mm

W2

Shade height: 190 mm

Shade diameter: 280 mm

Cord length: 3000 mm

W3

Shade height: 240 mm

Shade diameter: 350 mm

Cord length: 3000 mm

W4

Shade height: 305mm

Shade diameter: 500 mm

Cord length: 3000mm

WEATHERED COPPER

WORKSHOP LAMP W1 - W4



The workshop lamps in copper are made by hand in 3 different workshops in Denmark. Every single copper lamp is made in 100% pure copper, and is shaped by craftsmen using different tools. Each lamp has different finishes. Some lamps are lacquered with the purpose to maintain the look of the copper. The weathered copper lamp is put through an old-method of oxidation turning the raw copper into a beautiful dark-brown colour. Over time this lamp will patinate even more.

Design: A. Wedel-Madsen

Year: 1951

Material: Copper

Made in Denmark

Packaging

Packaging measurements

W1 L: 217 x W: 217 x H: 200 mm

W2 L: 297 x W: 297 x H: 240 mm

W3 L: 362 x W: 362 x H: 290 mm

W4 L: 510 x W: 510 x H: 365 mm

Weight packaging (Lamp + package = total)

W1 Total: 0,74 kg

W2 Total: 1,78 kg

W3 Total: 2,65 kg

W4 Total: 3,92 kg

Measurements

W1

Shade height: 125 mm

Shade diameter: 180 mm

Cord length: 3000 mm

W2

Shade height: 190 mm

Shade diameter: 280 mm

Cord length: 3000 mm

W3

Shade height: 240 mm

Shade diameter: 350 mm

Cord length: 3000 mm

W4

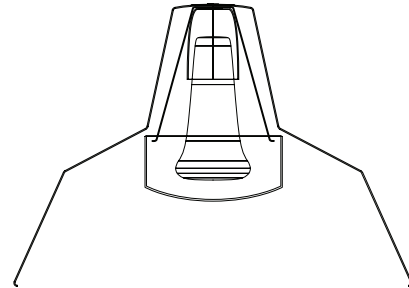
Shade height: 305 mm

Shade diameter: 500 mm

Cord length: 3000 mm

DIFFUSER

WORKSHOP LAMP W2 - W5



Example with the W2 lamp

The bracket and the semi translucent diffuser fits the socket and the bulb, without any changes to the exterior.

The bracket is made of powder coated aluminium and fits around the supplied socket. It is naturally springy and will hold the diffuser without any use of tools or screws, making the bulb easy to change.

The diffuser is designed to minimize collection of dust, but leaves enough room for the air to flow. It creates a nice even light spread on all kinds of surfaces, and guarantees there is no glare from the lightbulb.

Delivered mounted.

Material

Polycarbonat
LT 50%

Measurements

W2 and W3

Diffuser height: 63 mm
Diffuser diameter: 135 mm

W4

Diffuser: 77 mm
Diffuser diameter: 195 mm

W5

Diffuser height: 102 mm
Diffuser diameter: 270 mm

MADE BY HAND

GET IN TOUCH

MADE by HAND ApS
Tømmergravsgade 4B
2450 Copenhagen SV
Denmark

info@madebyhand.dk
+45 70 20 84 64

LATEST NEWS

More at
www.madebyhand.dk

