






CLOCHARD

code: **2289/BI**

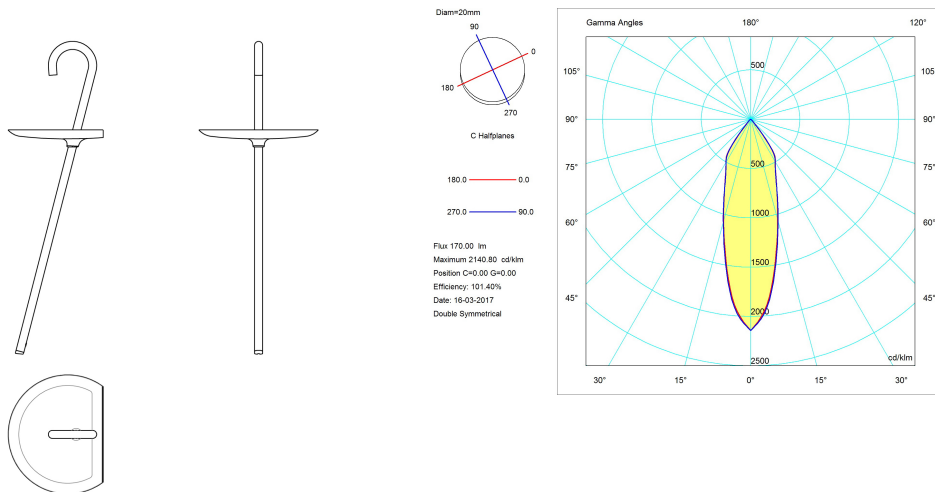
DESIGN **ORLANDINI DESIGN** 2013



STANDING LAMP, LITTE TABLE, EMPTY POCKETS, A NOMAD OBJECT, SIMPLY LEANED TO THE WALL. WHITE OR BLACK LACQUERED METAL STRUCTURE, RESIN PLANE. LED LIGHT SOURCE INTEGRATED AND ELECTRONIC DRIVER ON THE PLUG INCLUDED.

UTILIZATION:	INTERNAL	TIPOLOGY:	STANDING LAMPS	
COLOURS	STRUCTURE: DIFFUSER:	WHITE		
MATERIALS	STRUCTURE: DIFFUSER:	ALUMINIUM		
MEASURES	WIDTH: 29 cm HEIGHT: 98 cm LENGTH: 36 cm DEPTH: -	DIAMETER: - HOLE DIAMETER: - HOLE DEPTH: -	WEIGHT NET: 1,3 GROSS: 1,6	
	PACKAGING VOL.M ³ : -		NUMBER OF ITEMS: 1	
BULBS	LED 1X3W FLUX: - KELVIN: 3000° CLASS: A++ CRI: - COLOR TOLERANCE: - DURATION: 40000H			
DEVICE SPECIFICATIONS	TYPE OF EMISSION: DIRECT POWER: 3 W FLOW LAMP: 172 lm BEAM ANGLE: - DEVICE EFFICIENCY: 57.3lm/W IMPACT RESISTANCE: - GLOW WIRE TEST: -		POWER SUPPLY CABLE LENGTH: 50+200cm LENGTH OF HANGING CABLE: - SUPPLY: INCLUDED POWER SUPPLY ASSEMBLY: EXTERNAL TYPE OF DIMMING: - VOLTAGE: 230 V	
	POWER SUPPLY: ELECTRONIC POWER SUPPLY			
CERTIFICATIONS	   			
MARKETS	THIS ITEM IS AVAILABLE IN THE FOLLOWING COUNTRIES: EUROPE			

TECHNICAL DRAWINGS



CLOCHARD
code: *2289/BI*

DESIGN **ORLANDINI DESIGN** 2013

PHOTO GALLERY





CLOCHARD

code: **2289/NE**

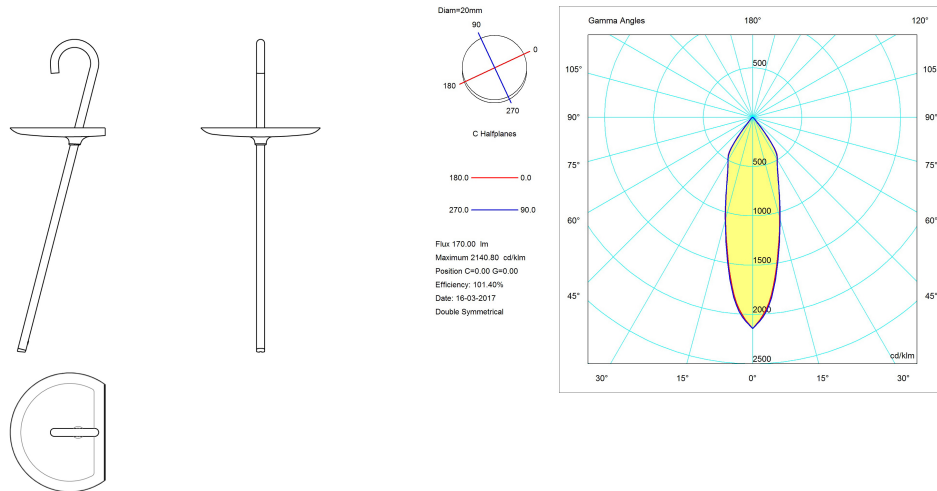
DESIGN **ORLANDINI DESIGN** 2013



STANDING LAMP, LITTE TABLE, EMPTY POCKETS, A NOMAD OBJECT, SIMPLY LEANED TO THE WALL. WHITE OR BLACK LACQUERED METAL STRUCTURE, RESIN PLANE. LED LIGHT SOURCE INTEGRATED AND ELECTRONIC DRIVER ON THE PLUG INCLUDED.

UTILIZATION:	INTERNAL	TIPOLOGY:	STANDING LAMPS	
COLOURS	STRUCTURE: DIFFUSER:	BLACK		
MATERIALS	STRUCTURE: DIFFUSER:	ALUMINIUM		
MEASURES	WIDTH: 29 cm HEIGHT: 98 cm LENGTH: 36 cm DEPTH: -	DIAMETER: - HOLE DIAMETER: - HOLE DEPTH: -	WEIGHT NET: 1,3 GROSS: 1,6	
	PACKAGING VOL.M ³ : -		NUMBER OF ITEMS: 1	
BULBS	LED 1X3W FLUX: - KELVIN: 3000° CLASS: A++ CRI: - COLOR TOLERANCE: - DURATION: 40000H			
DEVICE SPECIFICATIONS	TYPE OF EMISSION: DIRECT POWER: 3 W FLOW LAMP: 172 lm BEAM ANGLE: - DEVICE EFFICIENCY: 57.3lm/W IMPACT RESISTANCE: - GLOW WIRE TEST: -		POWER SUPPLY CABLE LENGTH: 50+200cm LENGTH OF HANGING CABLE: - SUPPLY: INCLUDED POWER SUPPLY ASSEMBLY: EXTERNAL TYPE OF DIMMING: - VOLTAGE: 230 V	
	POWER SUPPLY: ELECTRONIC POWER SUPPLY			
CERTIFICATIONS				
MARKETS	THIS ITEM IS AVAILABLE IN THE FOLLOWING COUNTRIES: EUROPE			

TECHNICAL DRAWINGS



CLOCHARD
code: *2289/NE*

DESIGN **ORLANDINI DESIGN** 2013

PHOTO GALLERY

