



Caravaggio

DESIGNED BY CECILIE MANZ

LIGHT
YEARS

With Caravaggio table Cecilie Manz' characteristic pendant lamp has come down on to the table. Cecilie Manz has created two different versions of the Caravaggio table lamp. The plug-in version can be installed directly in a desk or a counter. The table lamp complements the characteristic pendant with a metal shade in the same well-known Caravaggio shape. The shade has a high-gloss finish, while the foot and standard is matt lacquered. A flexible tube makes it possible to tilt the shade, and with it the light cone, up to 40 degrees. This function makes the lamps more flexible and functional as light sources. The little textile string near the standard functions as a switch.

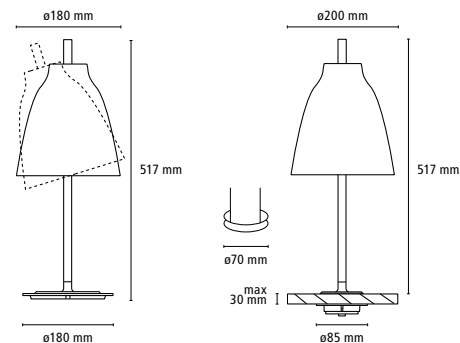
FACTS

COLOURS/SURFACE

White high-gloss and matt lacquer (with grey cord)
 Black high-gloss and matt lacquer (with red cord)

MATERIAL

Shade: Drawn aluminium
 Base: Steel



| PRODUCT NAME | PRODUCT CODE | DESCRIPTION | LIGHT SOURCE |
|--------------------------------|--------------|---|--------------|
| CARAVAGGIO Table black | 82081008 | Black high-gloss/matt lacquer | E27 max 42W |
| CARAVAGGIO Table white | 82081305 | White high-gloss/matt lacquer | E27 max 42W |
| CARAVAGGIO Table plug-in black | 82081108 | Black high-gloss/matt lacquer - plug-in | E27 max 42W |
| CARAVAGGIO Table plug-in white | 82081405 | White high-gloss/matt lacquer - plug-in | E27 max 42W |